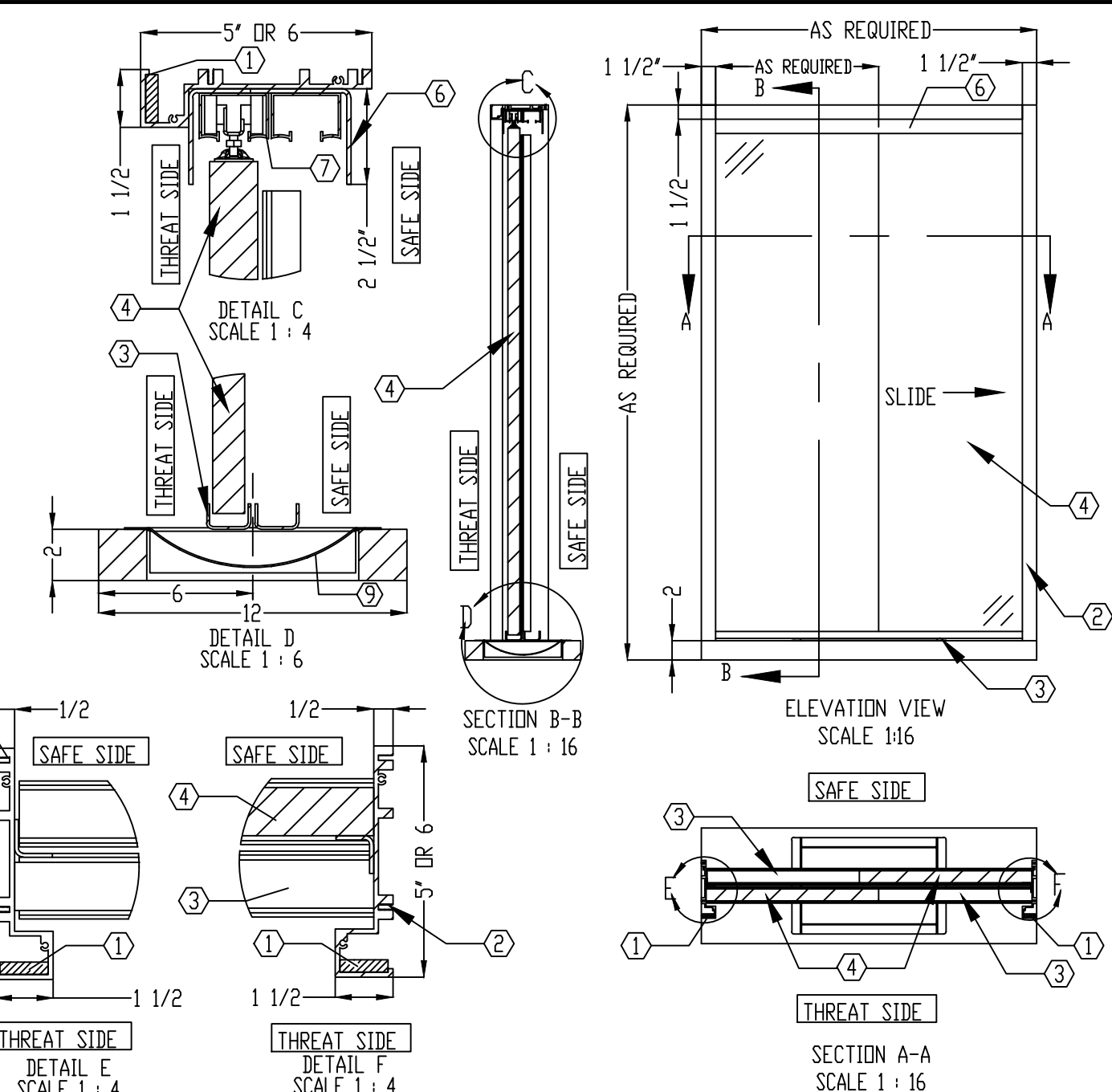


NOTES:

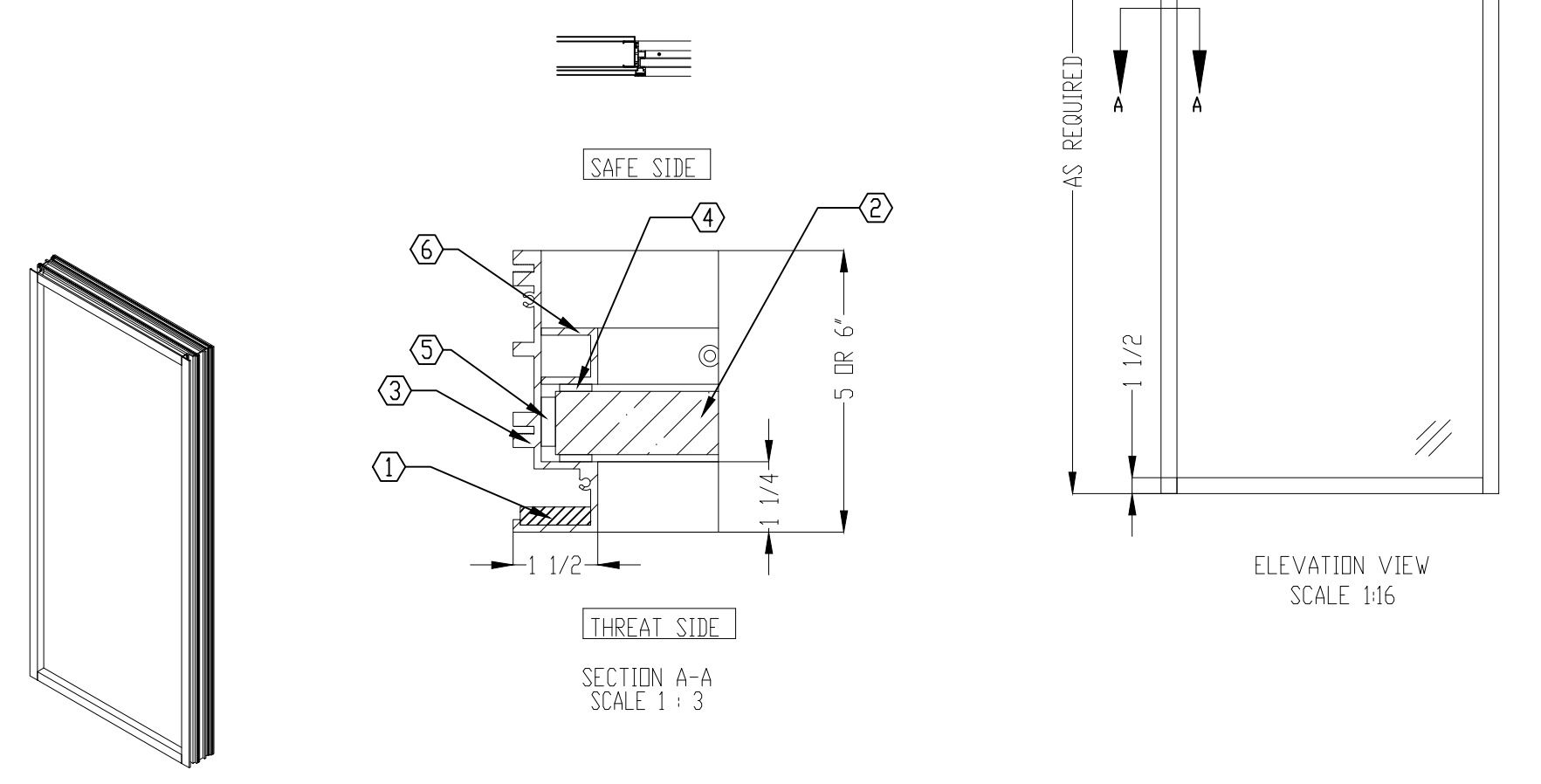
- ① ARMORTEX * BULLET RESISTANT ARMOR
- ② EXTRUDED ALUMINUM FRAME (CLEAR ANODIZED)
- ③ STAINLESS STEEL TRACK
- ④ ARMORTEX * BULLET RESISTANT GLAZING
- ⑤ 1/4" Ø QUICK RELEASE PIN W/ NYLON COATED CABLE (NOT SHOWN)
- ⑥ DOUBLE STAINLESS STEEL ROLLER GUARD
- ⑦ ROLLER TRACK
- ⑧ HANDPULL (NOT SHOWN)
- ⑨ STAINLESS STEEL DEAL TRAY
- ⑩ HIGH PRESSURE LAMINATED BLACK PLASTIC SHELF (STAINLESS STEEL OPTIONAL)
- ⑪ ANCHORS AS REQUIRED (NOT SHOWN)



SCALE: AS NOTED	TITLE: TRANSACTION WINDOW ALUMINUM SLIDING	UNLESS OTHERWISE SPECIFIED: DIMENSIONS ARE IN INCHES	ARMORTEX
DATE: 06-24-2015	MODEL: W1-TW-AL-SW	ARMORTEX ALUMINUM SLIDING WINDOW SYSTEM	5926 CORRIDOR PKWY SCHERTZ, TX 78154
DRAWN BY: M. FREEMAN	SHEET NUMBER: 1 OF 1	ARMORTEX ALUMINUM SLIDING WINDOW SYSTEM	TEL: 281-461-8300 FAX: 281-461-8308 WWW.ARMORTEX.COM

NOTES:

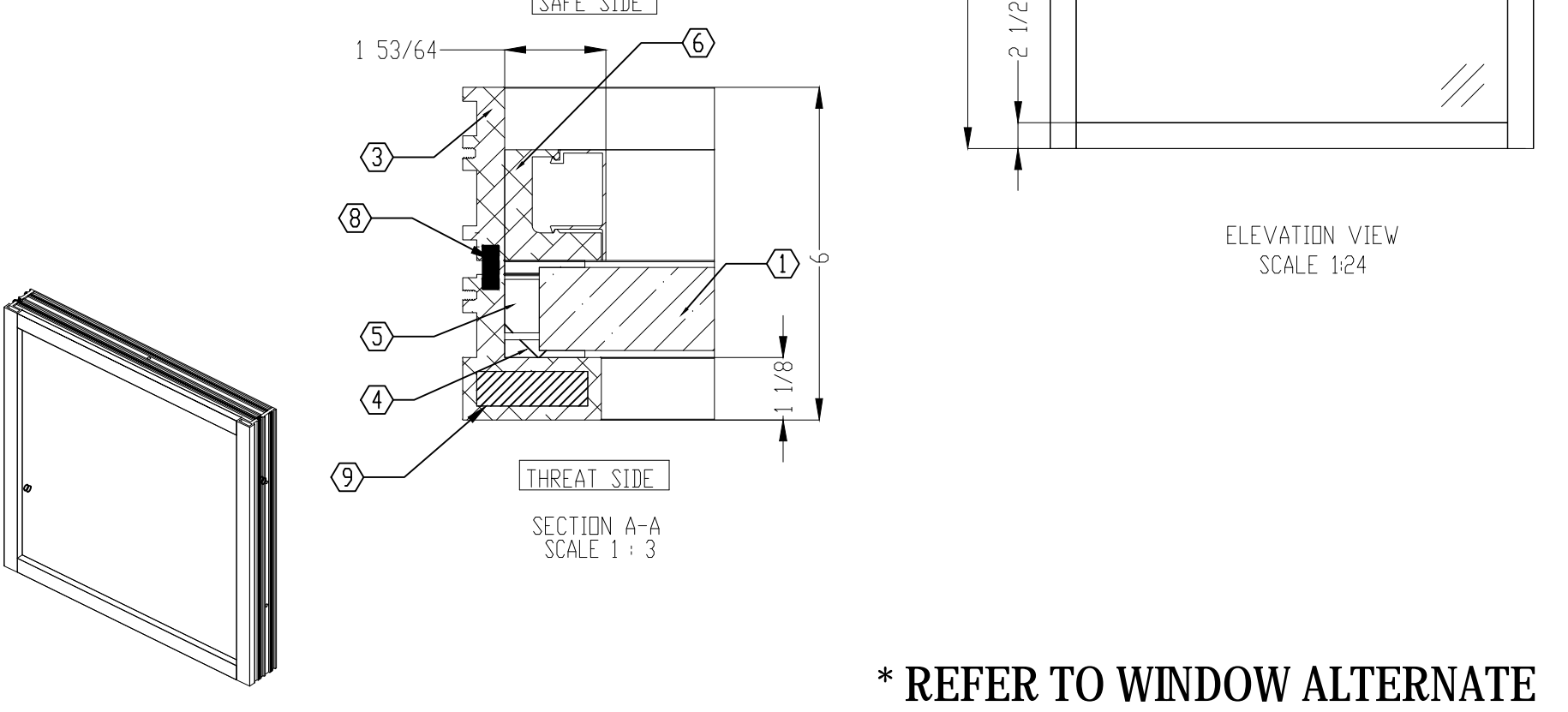
- ① ARMORTEX * BULLET RESISTANT ARMOR
- ② ARMORTEX * BULLET RESISTANT GLAZING
- ③ EXTRUDED ALUMINUM FRAME (CLEAR ANODIZED)
- ④ GLAZING TAPE
- ⑤ NEOPRENE SETTING BLOCKS
- ⑥ REMOVABLE STOP 1" X 1"
- ⑦ ANCHORS AS REQUIRED (NOT SHOWN)



SCALE: AS NOTED	TITLE: FIXED WINDOW ALUMINUM	UNLESS OTHERWISE SPECIFIED: DIMENSIONS ARE IN INCHES	ARMORTEX
DATE: 06-18-2015	MODEL: W1-FW-AL-RS	ARMORTEX ALUMINUM FIXED WINDOW SYSTEM	5926 CORRIDOR PKWY SCHERTZ, TX 78154
DRAWN BY: M. FREEMAN	SHEET NUMBER: 1 OF 1	ARMORTEX ALUMINUM FIXED WINDOW SYSTEM	TEL: 281-461-8300 FAX: 281-461-8308 WWW.ARMORTEX.COM

NOTES:

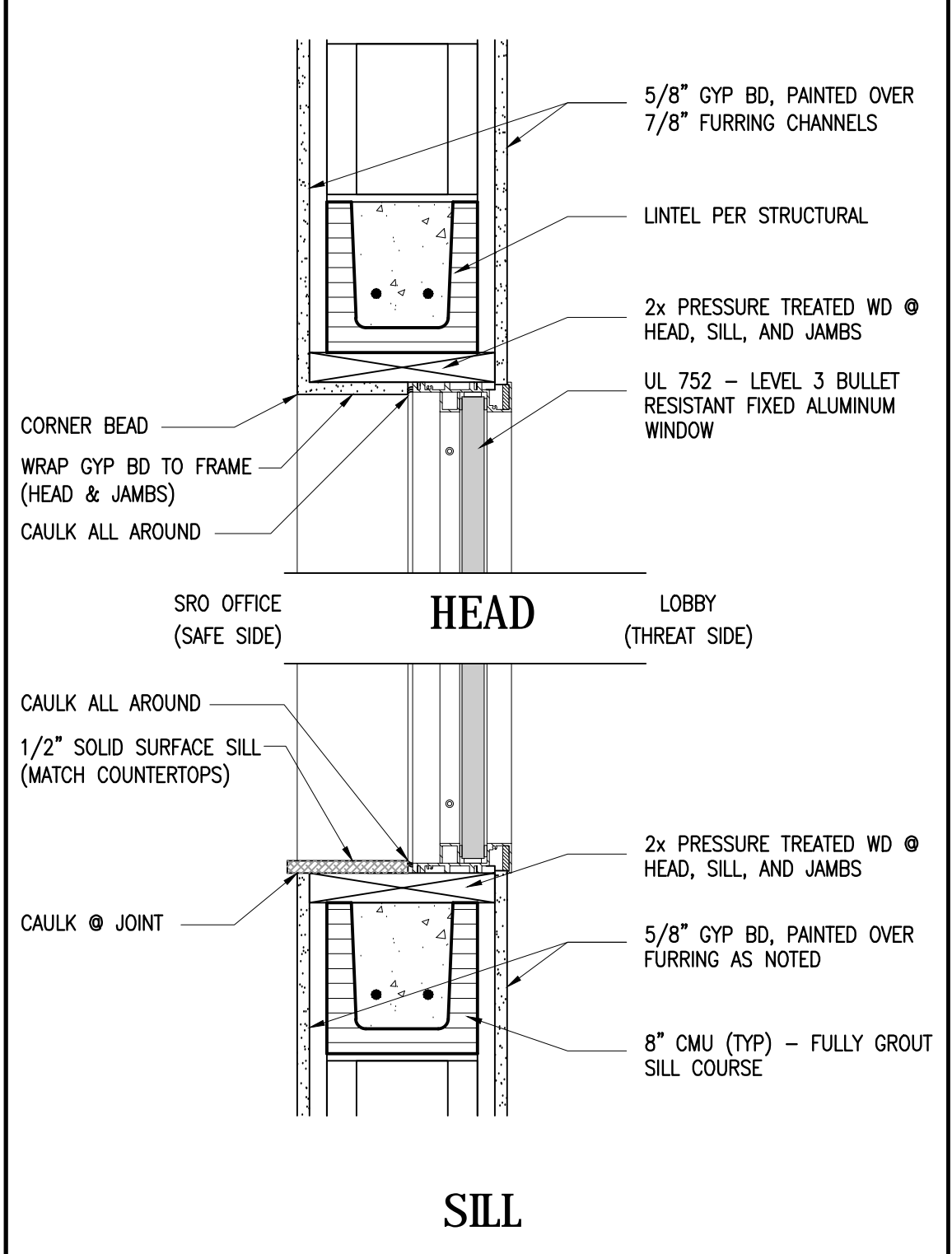
- ① ARMORTEX * BULLET RESISTANT GLAZING
- ② EMBEDS WILL VARY PER SPECIFIC BLAST-INSTALLATION REQUIREMENTS (NOT SHOWN)
- ③ EXTRUDED ALUMINUM FRAME (CLEAR ANODIZED)
- ④ STRUCTURAL SILICONE
- ⑤ NEOPRENE SETTING BLOCKS
- ⑥ REMOVABLE STOP
- ⑦ ANCHORS AS REQUIRED (NOT SHOWN)
- ⑧ URETHANE THERMAL BRAKE
- ⑨ ARMORTEX * BULLET RESISTANT ARMOR



SCALE: AS NOTED	TITLE: FIXED WINDOW THERMALLY BROKEN	UNLESS OTHERWISE SPECIFIED: DIMENSIONS ARE IN INCHES	ARMORTEX
DATE: 06-22-2015	NOTE: W1-FW-AL-TB	ARMORTEX THERMALLY BROKEN WINDOW SYSTEM	5926 CORRIDOR PKWY SCHERTZ, TX 78154
DRAWN BY: M. FREEMAN	SHEET NUMBER: 1 OF 1	ARMORTEX THERMALLY BROKEN WINDOW SYSTEM	TEL: 281-461-8300 FAX: 281-461-8308 WWW.ARMORTEX.COM

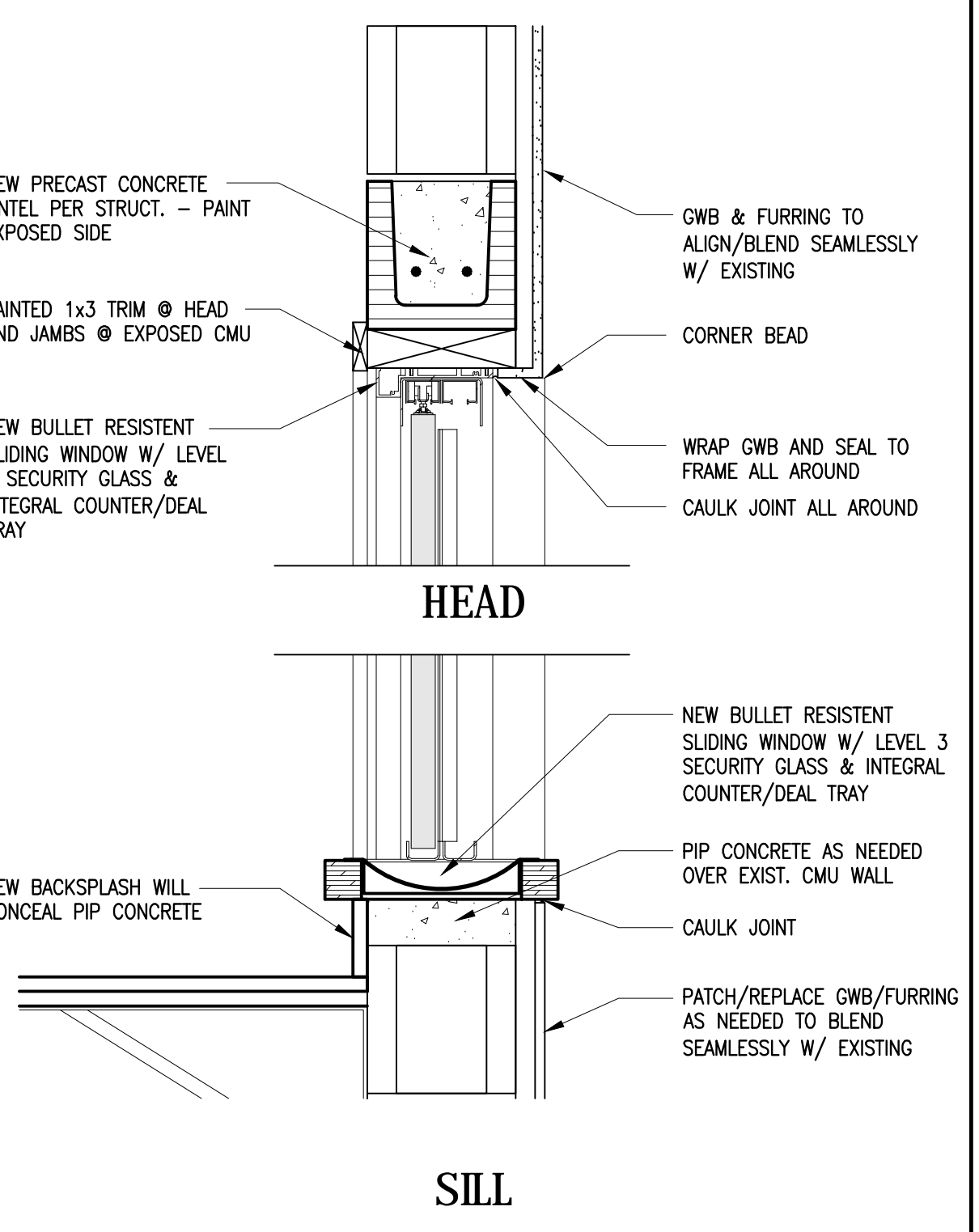
* REFER TO WINDOW ALTERNATE

IG1



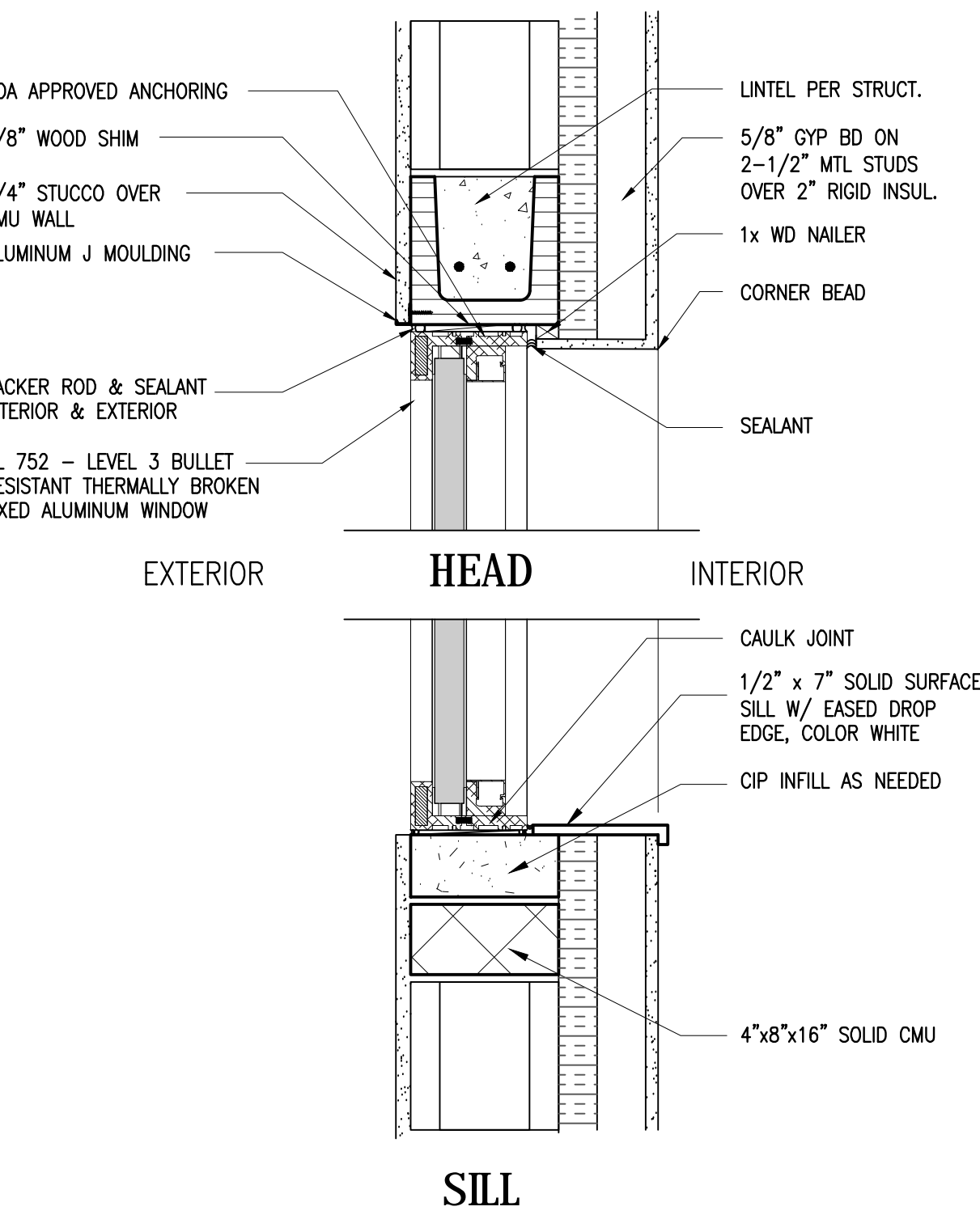
INTERIOR WINDOW DETAILS 05
SRO OFFICE - WINDOW TYPE IG2
1-1/2"=1'-0"

IG2



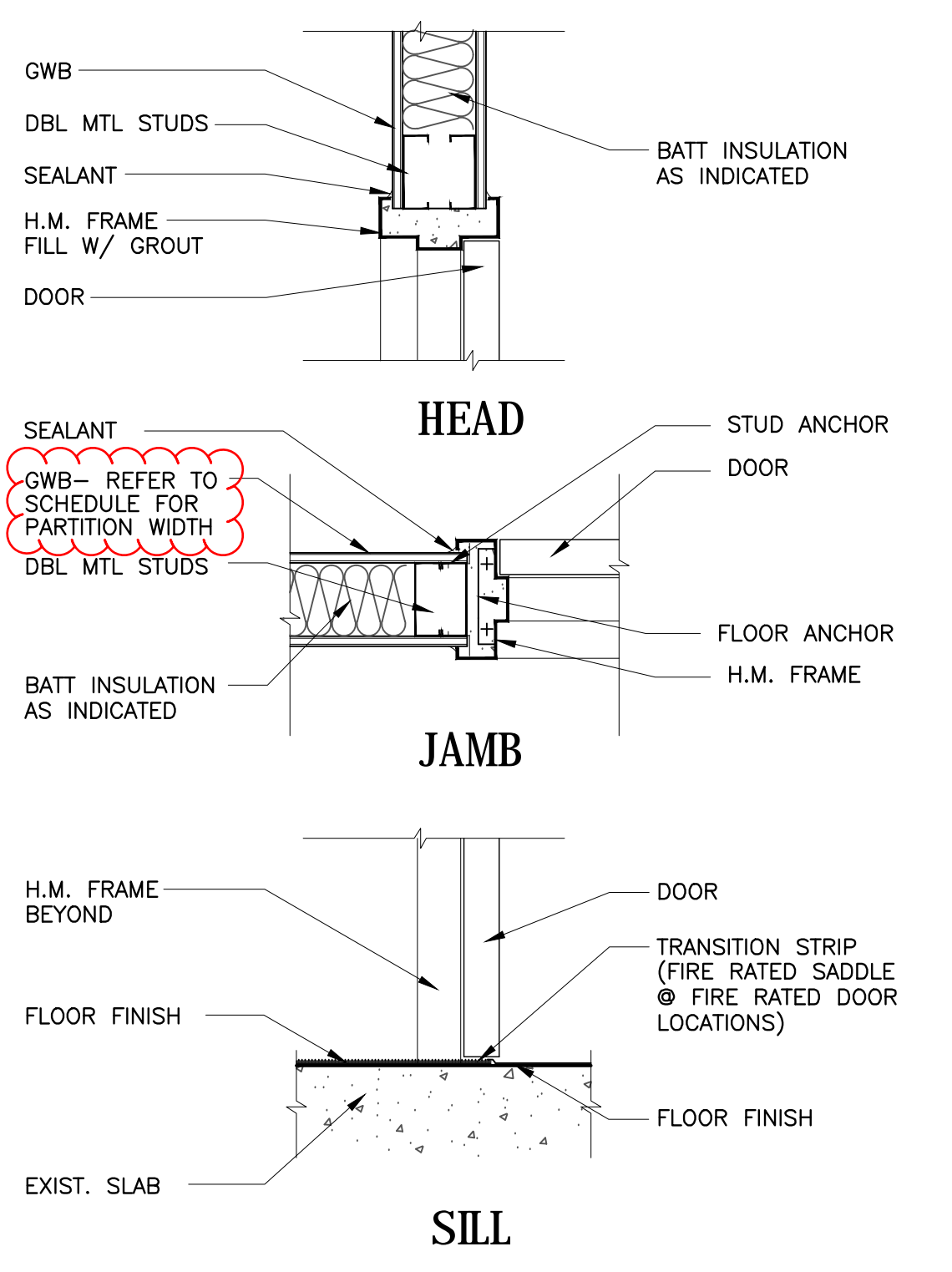
EXTERIOR WINDOW DETAILS 03
SRO OFFICE - WINDOW TYPE W1
1-1/2"=1'-0"

W1



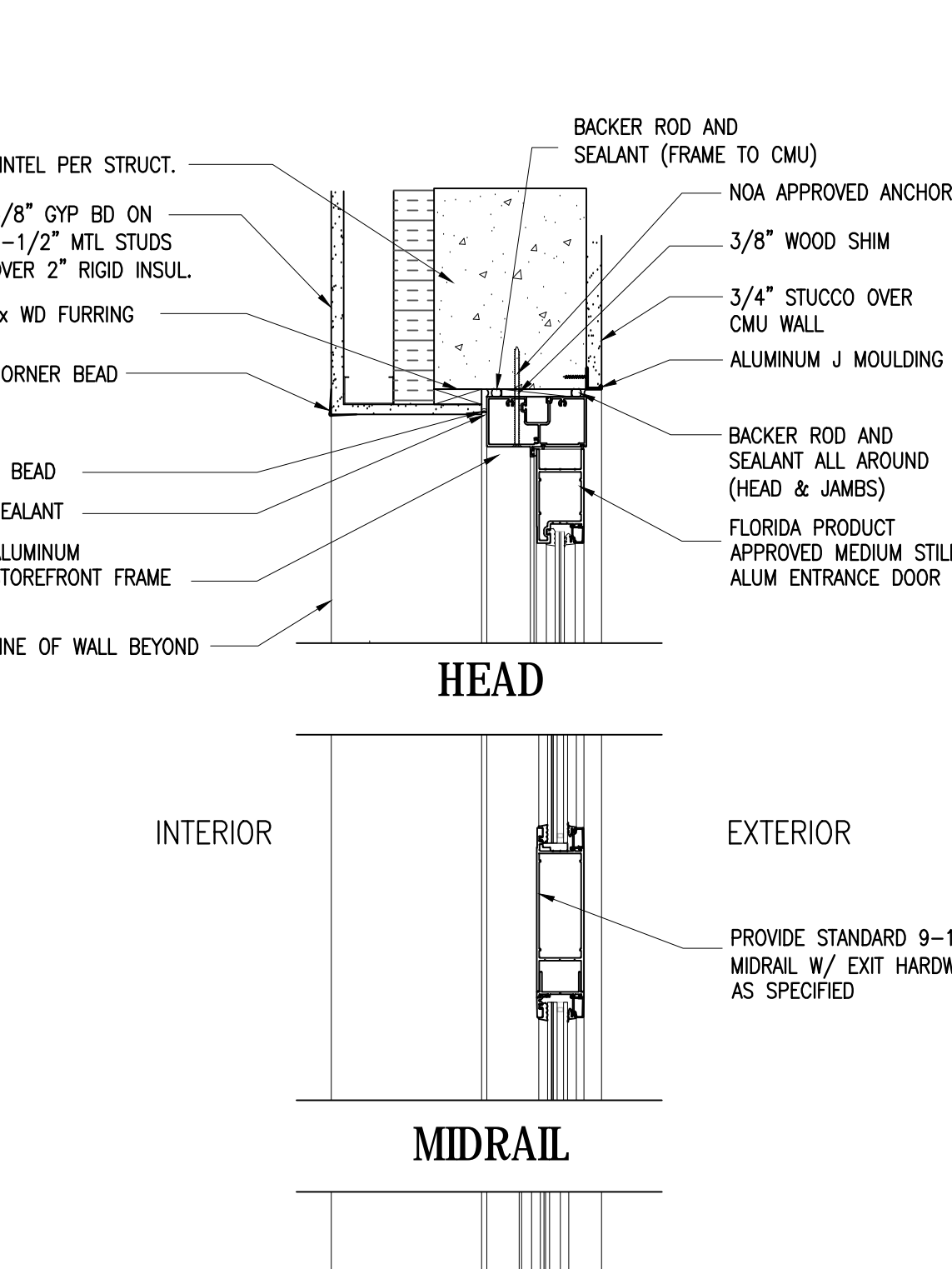
HM DOOR FRAME DETAILS 02
1-1/2"=1'-0"

IG1



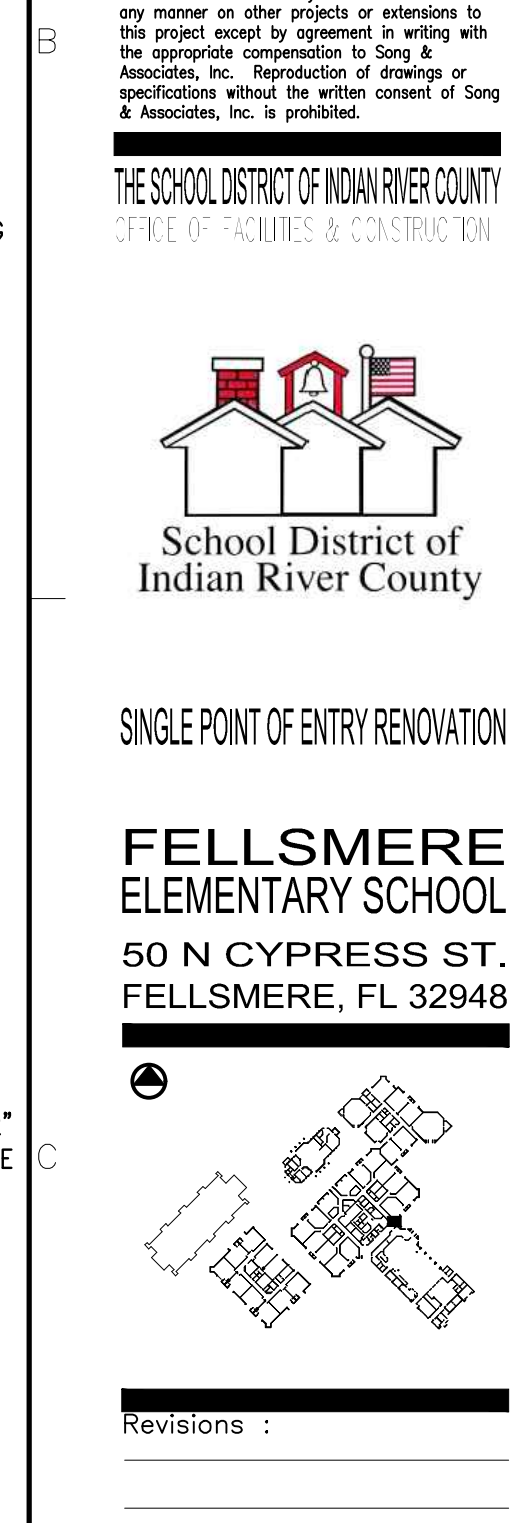
INTERIOR WINDOW DETAILS 05
SRO OFFICE - WINDOW TYPE IG2
1-1/2"=1'-0"

IG2



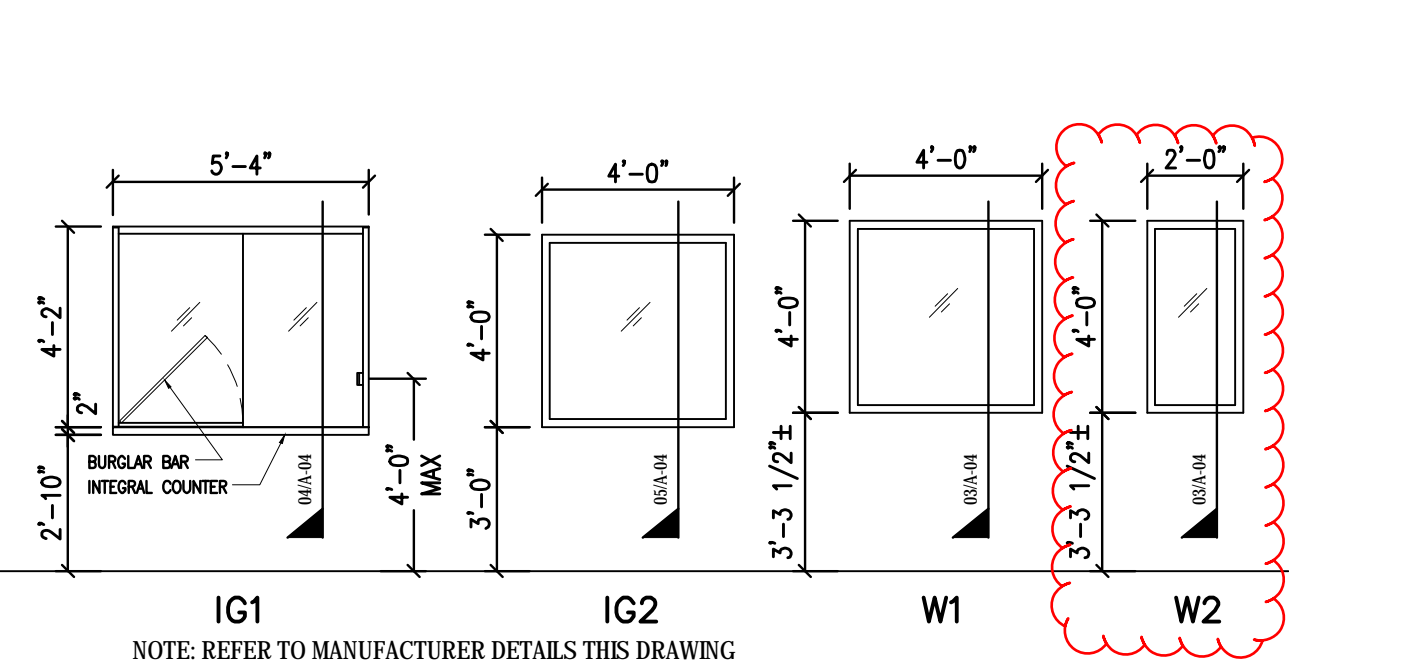
EXTERIOR WINDOW DETAILS 03
SRO OFFICE - WINDOW TYPE W1
1-1/2"=1'-0"

W1



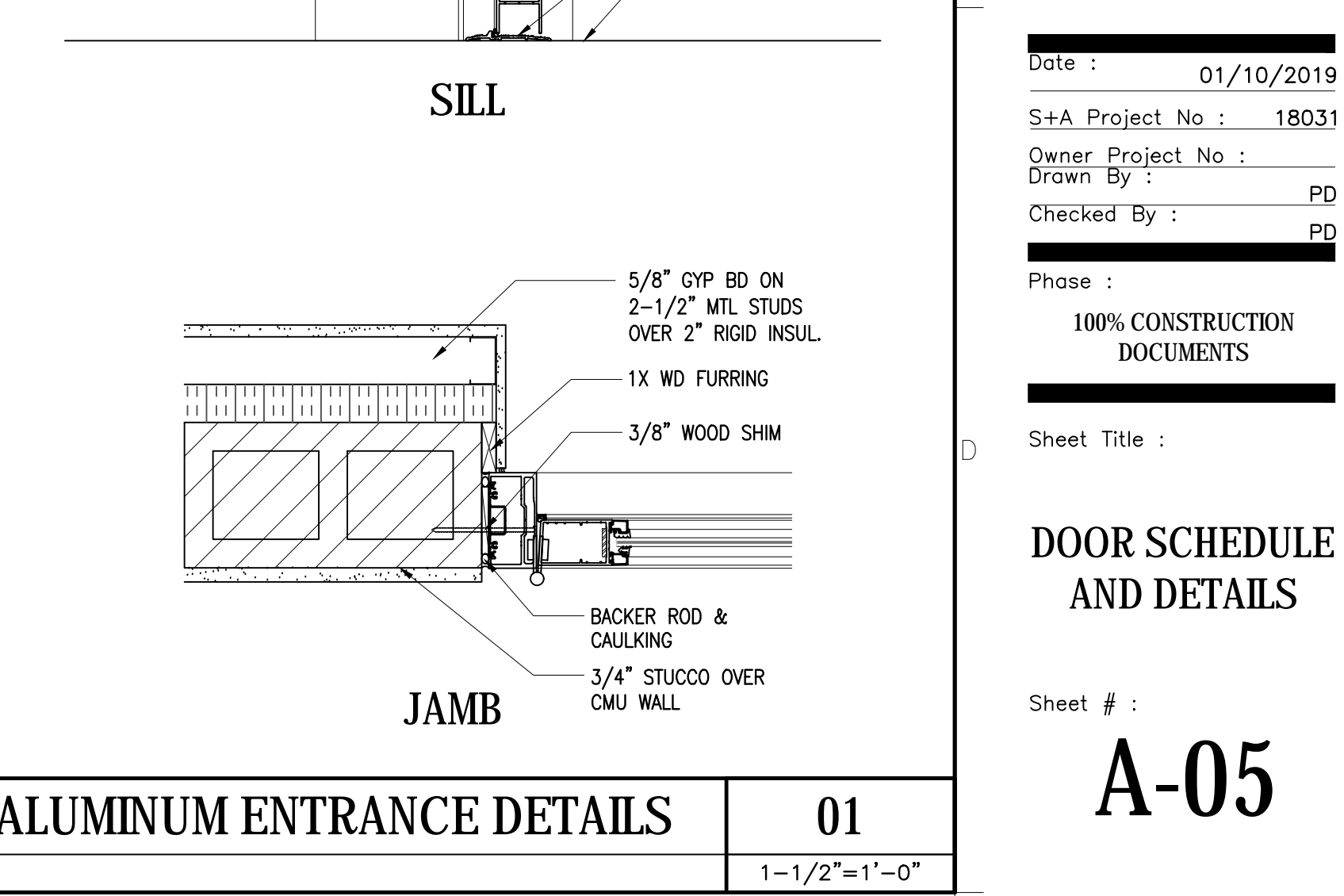
HM DOOR FRAME DETAILS 02
1-1/2"=1'-0"

DOOR & WINDOW SCHEDULE									
DOOR	SIZE	DOORS	FRAMES	DETAILS	FIRE RATING	HWDR GROUP	GLAZING	STC RATING	REMARKS
		MAT	TYPE	PARTITION WIDTH	AL	F2			
301A	3070	AL	FG	5-31/16"	HM	F1			REFER TO SECTION DETAILS 02/A-05
101A	3070	WD	D1	4-7/8"	HM	F3			REFER TO SECTION DETAILS 02/A-05
301B	3070	WD	D1	4-7/8"	HM	F3			REFER TO SECTION DETAILS 02/A-05
301C	3070	WD	D1	4-7/8"	HM	F3			REFER TO SECTION DETAILS 02/A-05



REMARKS	WINDOW ALTERNATE
1. 1/2" TEMPERED GLASS, IMPACT RESISTANT.	ALT. A-1: FOR WINDOW TYPE W-1 & W-2, PROVIDE PRICING TO PROVIDE CLEAR ANODIZED THERMALLY BROKEN ALUMINUM FRAME WINDOW, YKK AP SERIES YCM 700 OR APPROVED EQUIVALENT, WITH LARGE MISSILE IMPACT RESISTANT GLAZING IN LIEU OF BULLET RESISTANT SYSTEM SPECIFIED.
2. PANIC HARDWARE TO BE PROVIDED.	GLAZING: 1. THICKNESS: 0.060" (MINIMUM), BUT NOT LESS THAN REQUIRED TO MEET IMPACT REQUIREMENTS. 2. CLEAR INTERLAYER BETWEEN TWO 1/4" HEAT-STRENGTHENED GLASS, CLEAR INBOARD, CLEAR OUTBOARD.
3. WIRE FOR REMOTE DOOR RELEASE.	
4. PROVIDE ALPHONE JO-DVF FLUSH MOUNT VIDEO INTERCOM W/ INTEGRAL ELECTRONIC DOOR LOCK @ 48" AFF. KEYPAD MONITOR TO BE LOCATED AT RECEPTION DESK.	

HARDWARE SCHEDULE			
Hardware Group No. 01	For use on mark/door #(:)	301A	Finish
Qty	Description	Catalog Number	Finish
3EA	HW HINGE	3CB1HW 4.5 X 4.5 NRP	630 ME
1EA	POWER TRANSFER	EP110 CON	689 VON
1EA	ELEC PANIC	GEL-98-NL-CON	626 VON
HARDWARE			
1EA	MORTISE CYLINDER	1000	626 C-R
1EA	RIM CYLINDER	3000	626 C-R
1EA	SURF. AUTO OPERATOR	9542 LONG2 MS	ANCLR LCN
1EA	KEYSWITCH	8310-808K	BLK LCN
2EA	ACTUATOR, WALL MOUNT	8310-808	630 LCN
1EA	THRESHOLD	65A-MSLA-10	A ZER
1EA	WIRE HARNESS	CON-12P	CON-HP VON
1EA	WIRE HARNESS	CON-4P	CON-HP VON
1EA	PUSHBUTTON	621AL	629 SCE
1EA	POWER SUPPLY	PS904 900-4RL	LGR VON
Balance of Door Hardware to be supplied by Aluminum Door Supplier 084100 verify door function before installation - wiring diagram by hardware supplier			
Hardware Group No. 02	For use on mark/door #(:)	101A	Finish
Qty	Description	Catalog Number	Finish
3EA	HINGE	3CB1 4.5 X 4.5	652 ME
1EA	STOREROOM	CL3357 NZD	626 C-R
1EA	ELECTRIC STRIKE	6211 FSE	630 VON
1EA	SURFACE CLOSER	4040XP	689 LCN
1EA	KICK PLATE	8400 10" X 2" LDW B-CS	630 ME
1EA	PUSHBUTTON	621AL	629 SCE
1EA	WALL STOP	WS406/407CCV	630 ME
3EA	SILENCER	SR64	697 ME
Hardware Group No. 03	For use on mark/door #(:)	301B	Finish
Qty	Description	Catalog Number	Finish
3EA	HINGE	3PB1 4.5 X 4.5	652 ME
1EA	CLASSROOM	CL3355 NZD	626 C-R
1EA	WALL STOP	WS406/407CCV	630 ME
3EA	SILENCER	SR64	697 ME



ALUMINUM ENTRANCE DETAILS 01
1-1/2"=1'-0"



Architecture • Planning • Interior Design
1545 Centrepark Drive North West Palm Beach, Florida 33401
Telephone: 561-655-2423
Fax: 561-655-1482
AA - 0003165 IB - 0001095

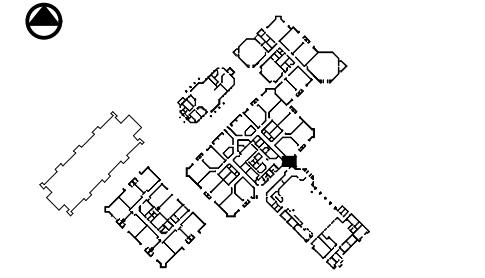
Seal: PERRY DOUGLASS REGISTERED ARCHITECT
Name: PERRY DOUGLASS
License #: AR 97112
Consultants:

Copyright © 2017 Song & Associates, Inc. All rights reserved. These drawings and specifications are instruments of service and shall remain the property of Song & Associates, Inc. whether the project for which they were prepared is executed or not. They are not to be used in any manner on other projects or extensions to this project except by agreement in writing with the appropriate compensation to Song & Associates, Inc. Reproduction of drawings or specifications without the written consent of Song & Associates, Inc. is prohibited.



SINGLE POINT OF ENTRY RENOVATION

FELLSMERE ELEMENTARY SCHOOL
50 N CYPRESS ST.
FELLSMERE, FL 32948



Revisions:

Date: 01/10/2019
S+A Project No.: 18031
Owner Project No.:
Drawn By: PD
Checked By: PD

Phase: 100% CONSTRUCTION DOCUMENTS

Sheet Title: DOOR SCHEDULE AND DETAILS

Sheet #: A-05